

Multiroom on the Boston Acoustics i-DS³ plus

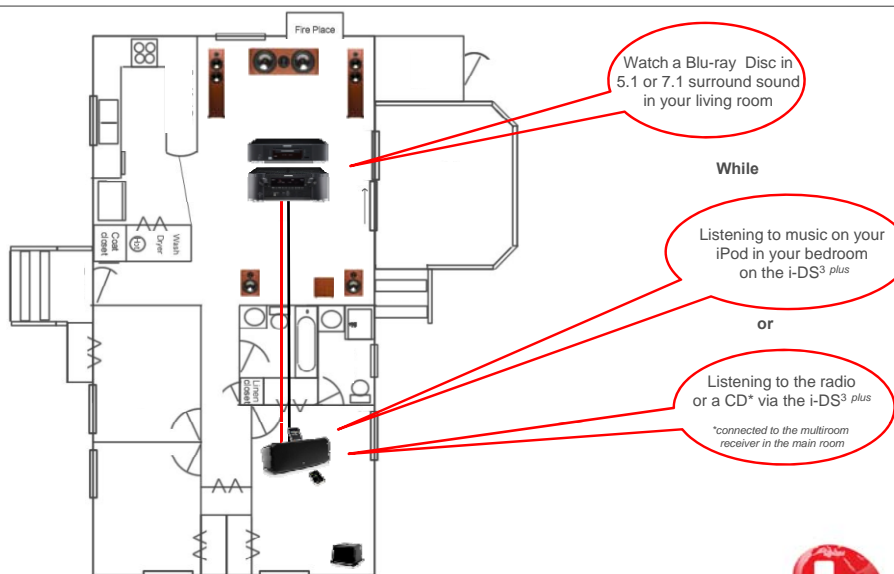
Also works for Duo-i plus



BOSTON ACOUSTICS PRODUCT BULLETIN



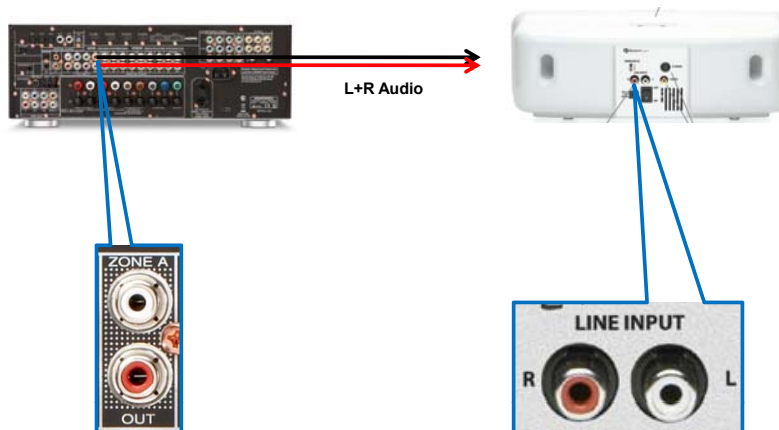
What is Multiroom / Multisource ?



BOSTON ACOUSTICS PRODUCT BULLETIN



How to set it up ?

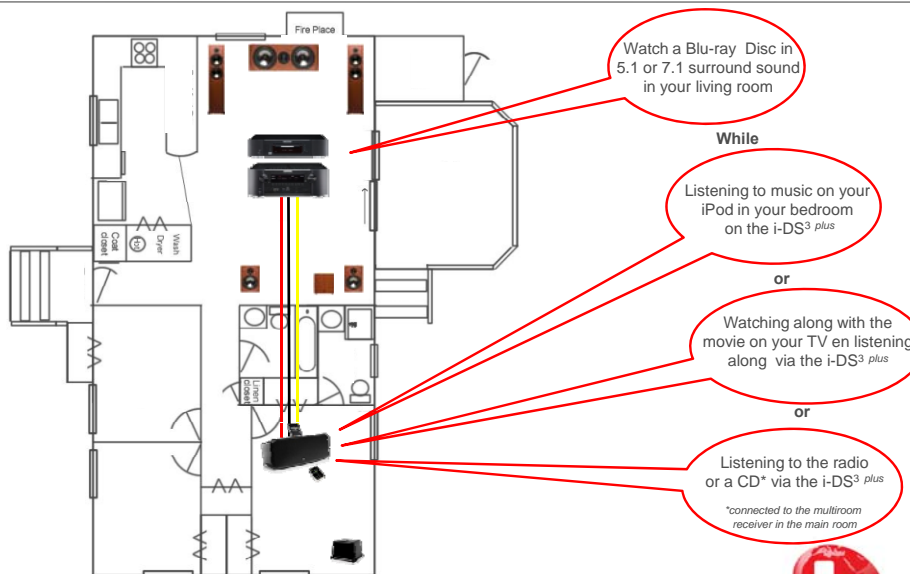


Connect an audio cable (RCA) to the **ZONE A PRE OUT** of the multiroom receiver and bring this one into the room where the *i-DS^{3 plus}* is located. Now connect the other end of the audio cable to the **LINE INPUT** of the *i-DS^{3 plus}*.

BOSTON ACOUSTICS PRODUCT BULLETIN



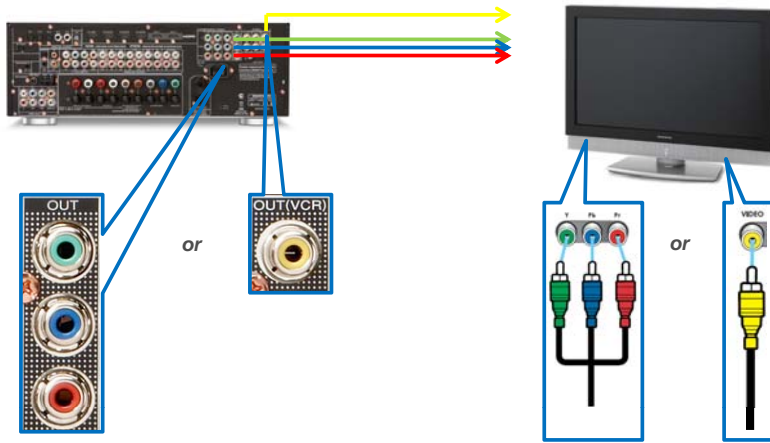
Adding Video



BOSTON ACOUSTICS PRODUCT BULLETIN



How to set it up ?



Connect a video cable to the **VIDEO OUT** of the multiroom receiver and bring this one into the room where the i-DS3 *plus* (and the TV!) is located. Now connect the other end of the video cable to the **VIDEO INPUT** of the TV. *(Only applicable for AV-receivers with Multiroom Video Out)*

BOSTON ACOUSTICS PRODUCT BULLETIN



Controlling the volume

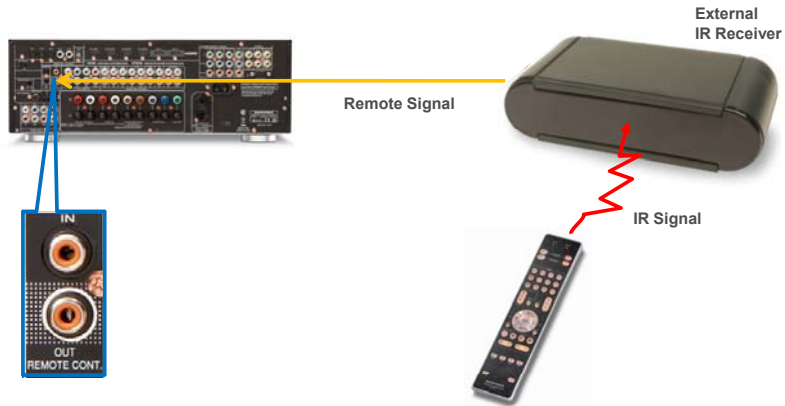


The volume can be controlled with the remote control that is supplied with the i-DS3 *plus*
(Controlling the source is not possible, only adjusting the volume locally)

BOSTON ACOUSTICS PRODUCT BULLETIN



Advanced controlling

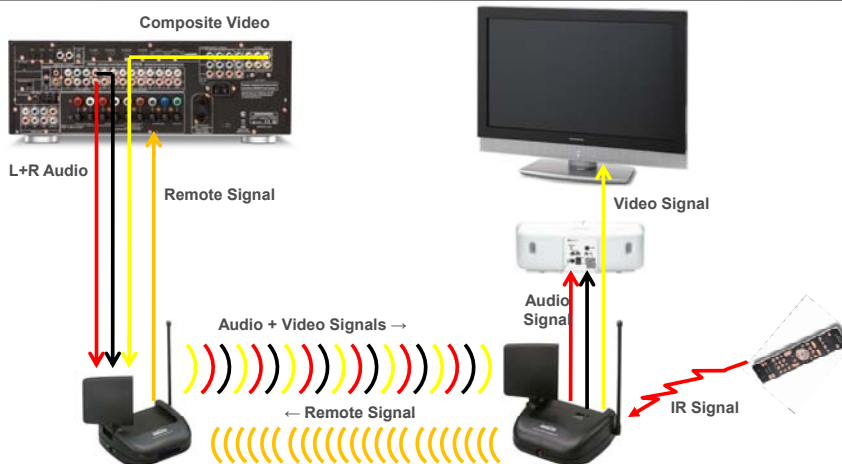


Wired solution with an external IR receiver will add source control as well. Now you can control the receiver and its connected sources as well (using Remote Bus).

BOSTON ACOUSTICS PRODUCT BULLETIN



Or go wireless all the way !



A wireless solution (f.e. the Gigavideo45™ of Marmitek) will make everything very easy to setup – without pulling any wire!

BOSTON ACOUSTICS PRODUCT BULLETIN



Main features of the Boston Acoustics i-DS³ plus



- Controls and charges all iPhone and dockable iPod models
- 100 watts of total system power
- Dual high frequency tweeters
- Dual high performance 3 ½ -inch woofers
- Wireless 6-inch subwoofer goes anywhere in your listening area
- BassTrac® audio processing for clean bass at all listening levels
- Video output for all video-capable iPhone/iPod models
- Auxiliary inputs for audio sources like CD Player, multiroom, etc.
- Remote control included
- Available in Gloss White and Gloss Black

BOSTON ACOUSTICS PRODUCT BULLETIN



www.bostona.eu

BOSTON ACOUSTICS PRODUCT BULLETIN

